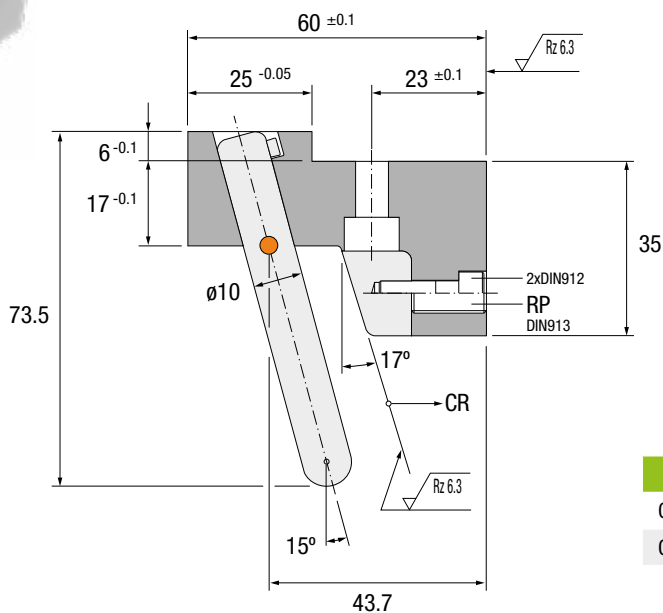


HEEL UNIT - SET

ES Cuña Guía - SET DE Keilführungs - SET
IT Contrasto Guida - SET PT Guia Cunha - SET FR Guide de Chariot - SET

CG



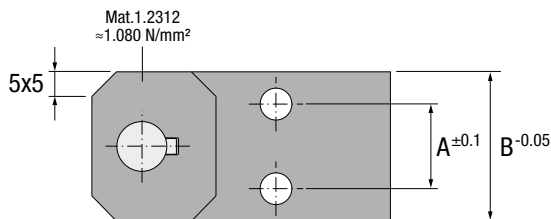
● Cad Insertion Point

SLIDES



Patented

Ref.	A	B	CR (N)	RP	Includes
CG.603075	17	30	180.000	081015	GI.010075
CG.604075	22	40	320.000	101015	GI.010075



IMPORTANT !
Standard stroke of 11mm.
Recorrido estándar de 11mm.
Standard Hub 11mm.
Corsa carrello 11mm.
Curso standard 11mm.
Course standard de mm.

CA



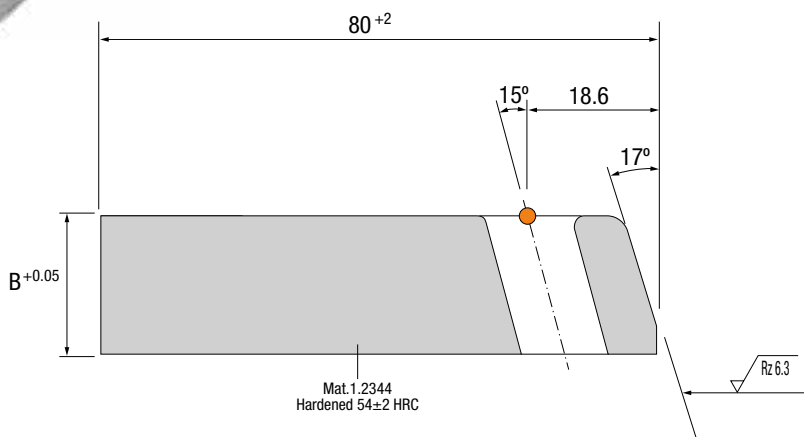
ADJUSTED SLIDE

ES Corredera Ajustada DE Vorabgestimmter Schieber
IT Carrello Aggiustato PT Corrediça Ajustada FR Coulisseau de Chariot

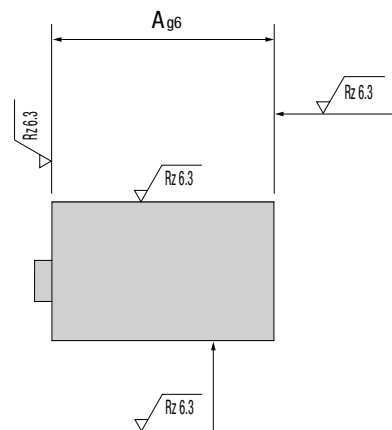
SLIDES



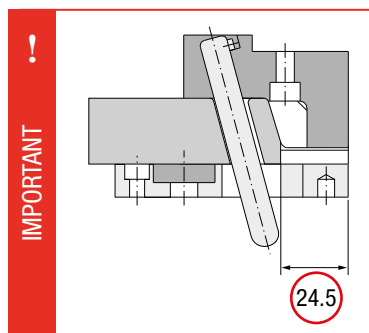
Patented



● Cad Insertion Point



Ref.	A	B
CA.322080	32	20
CA.322480	32	24
CA.422080	42	20
CA.422480	42	24



IMPORTANT

SLIDE BASE

ES Base Corredera DE Basisführung
IT Base Carrello PT Base da Corrediça FR Embase Coulisseau



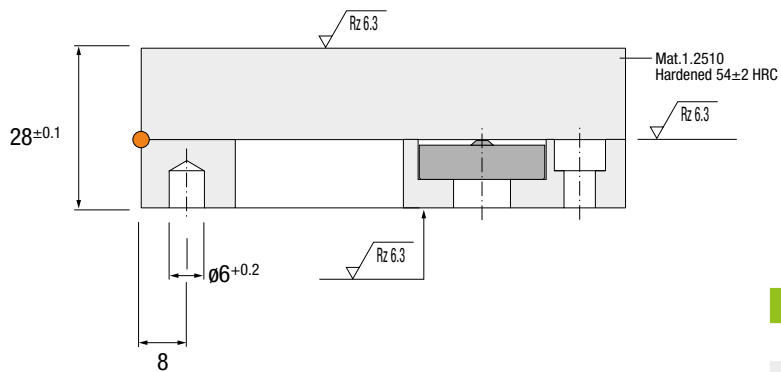
BC

SLIDES

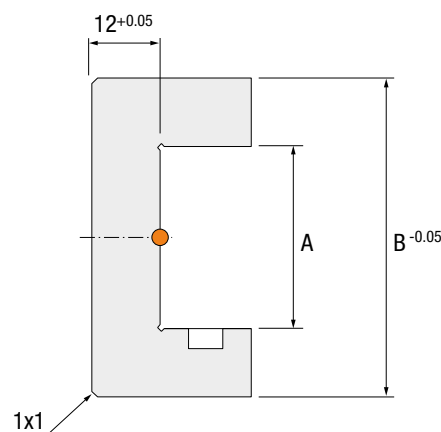
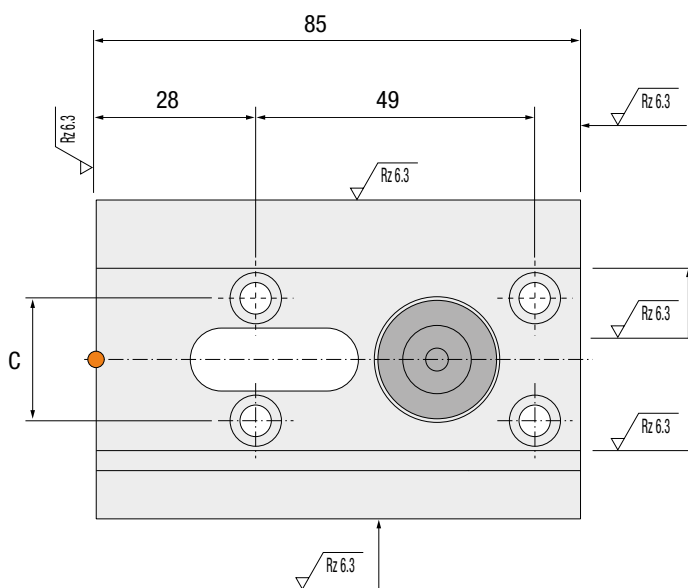


Patented

● Cad Insertion Point



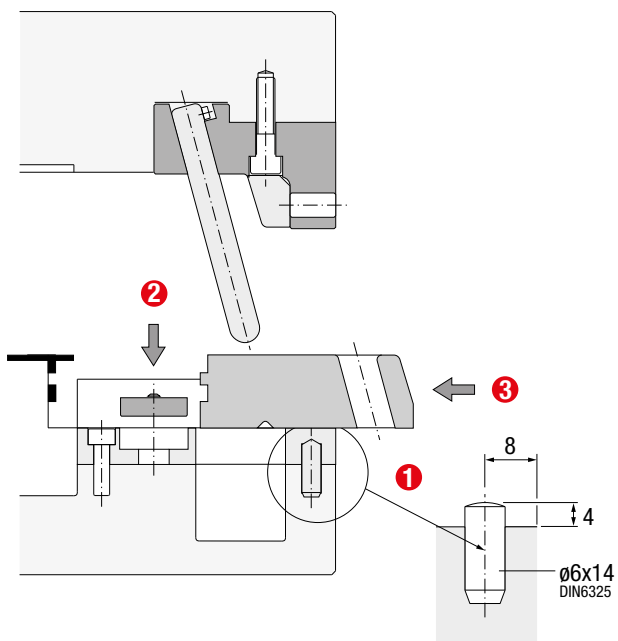
Ref.	A	B	C
BC.322885	32	56	21.5
BC.422885	42	66	26.5



Installation Guidelines

Consejos de Instalación · Richtlinien zur Installation · Consigli di Installazione · Instruções de Instalação · Mode d'Installation

Mold Open



Mold Closed

