

VACUUMJET VALVE

ES Válvula Vacuumjet DE Vacuumjet Ventil
IT Valvola Vacuumjet PT Válvula Vacuumjet FR Soupape Vacuumjet

● Cad Insertion Point

WV



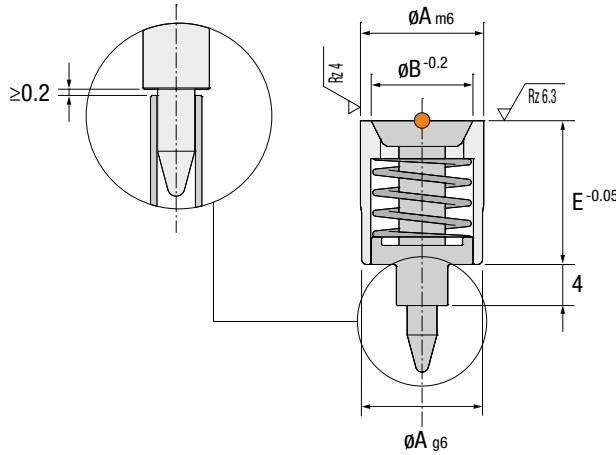
VACUUM



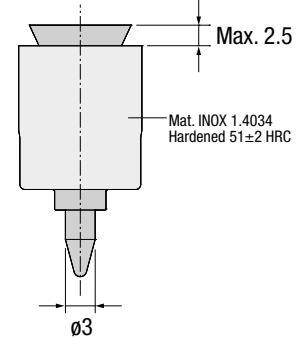
Patented

Max. 150°C

Closed Position



Open Position

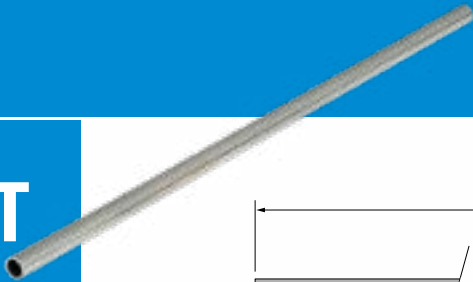


Ref.	A	B	C	D	E
WV.086414	8	6.7	10	6.5	14
WV.121014	12	9.8	10	10	14
WV.161416	16	14	10	10	16

VACUUMJET VALVE TUBE

ES Tubo Válvula Vacuumjet DE Vacuumjet Ventilrohr
IT Tubo Valvola Vacuumje PT Tubo Válvula Vacuumjet FR Tube soupape Vacuumjet

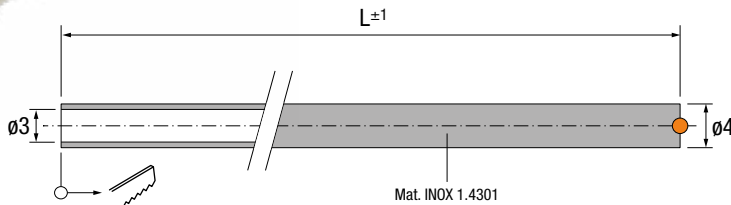
VT



VACUUM



Patented



Ref.	L
VT.043209	209
VT.043500	500

Installation Guidelines

Consejos de Instalación · Richtlinien zur Installation · Consigli di Installazione · Instruções de Instalação · Mode d'Installation

