

COOLED RACK LIFTER

ES Doble Cremallera Refrigerada DE Gekühltes Zweifach Zahnstangen System
 IT Doppia Cremagliera con Refrigerazione PT Duplo Rack Refrigerado FR Double Rack Réfrigéré

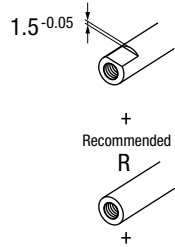
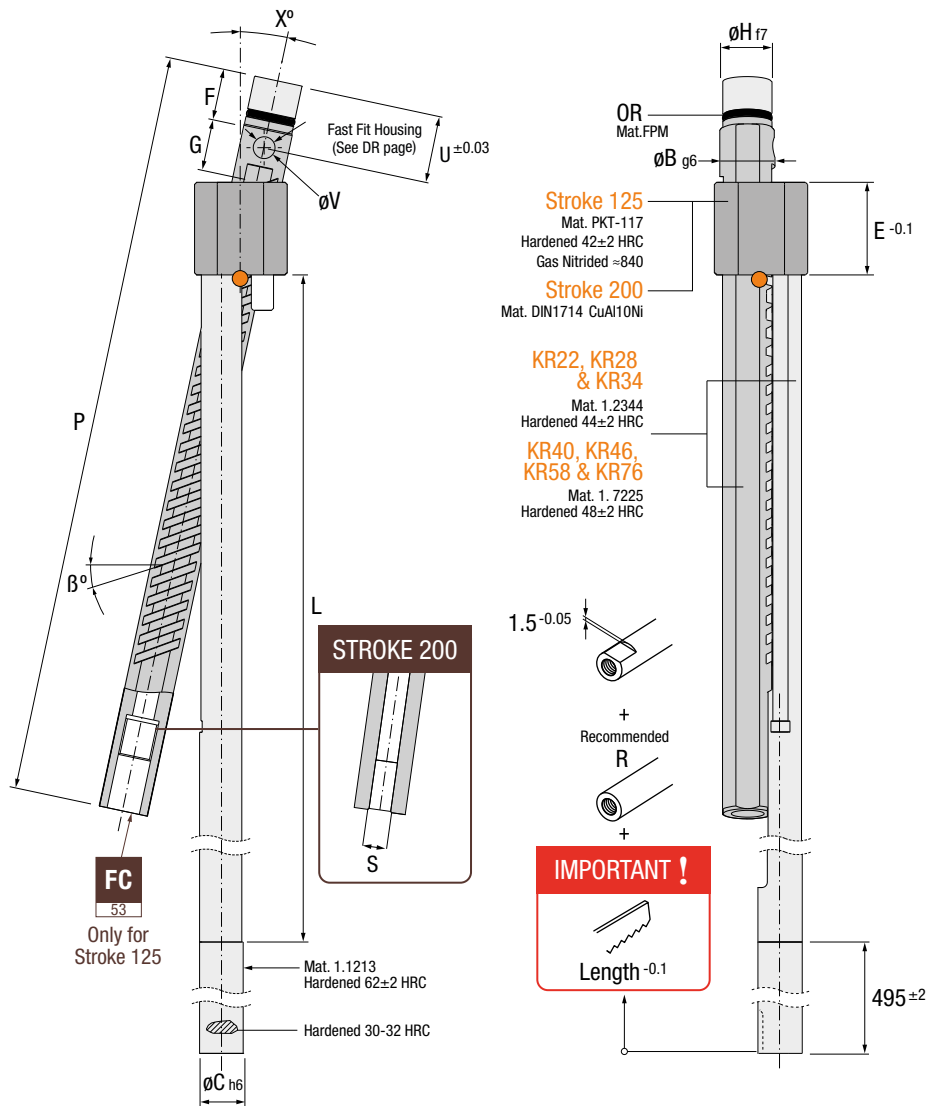
● Cad Insertion Point

KR

UNDERCUTS



Patented



IMPORTANT !
 Length^{-0.1}

! COOLING CONNECTION OPTIONS
 Only for Stroke 125

Option A **Option B**

IMPORTANT !

IMPORTANT !
 Mirror part.
 Pieza simétrica.
 Symmetrisches Teil.
 Versione a specchio.
 Peça em espelho.
 Pièce en miroir.

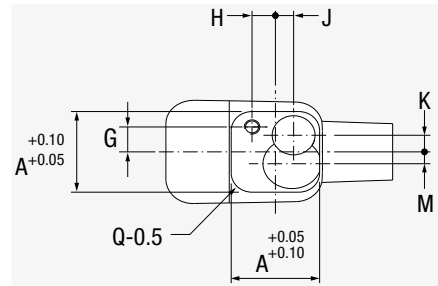
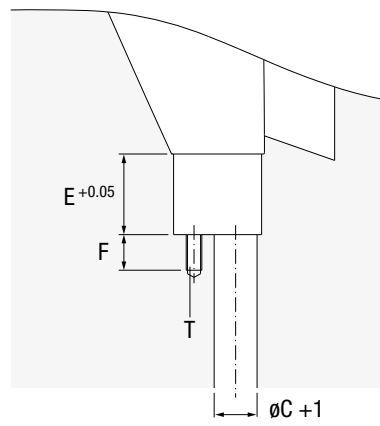
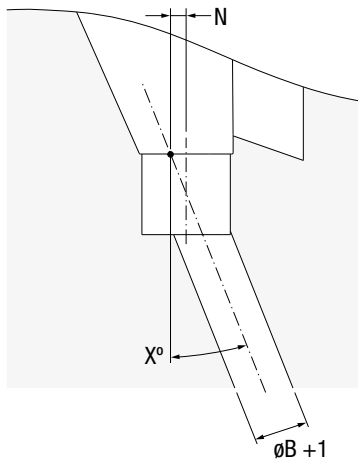
	Ref.	X°	A	B	C	E	F	G	H	L	P	Q	R	S	T	U	V	OR	Mirror Ref. -S	
Stroke 125	KR.22125L-x	8 12 16	20	22	12	22	16	20	10.8	282	260	6.5	M6	-	M6	23	8	8x1.25	KR.22125L-x-S	
	KR.28125L-x	8 12 16	20	28	16	14	28	16	20	13.8	294.5	272	8.5	M8	-	M8	23	8	11x1.3	KR.28125L-x-S
	KR.34125L-x	8 12 16	20	34	20	16	34	18	20	17.8	311.5	275	10.5	M8	-	M8	25	8	14x1.78	KR.34125L-x-S
	KR.40125L-x	8 12 16	20	40	22	20	40	20	25	19.8	342	350	10.5	M10	-	M10	28	10	15x1.8	KR.40125L-x-S
	KR.46125L-x	8 12 16	20	46	24	24	46	22	25	21.8	361	350	10.5	M12	-	M12	30	10	18x1.8	KR.46125L-x-S
Stroke 200	KR.58200L-x	8 12 16	-	58	30	30	66	25	55	26	362	430	13.5	M20	1/4"Gas	M14	60	12	21x2.5	KR.58200L-x-S
	KR.76200L-x	8 12 16	-	76	40	40	80	30	60	34	392	470	17	M24	3/8"Gas	M18	70	12	28x3	KR.76200L-x-S

! IMPORTANT !
 Replace the **x** in the reference with the required X° dimension (8°, 12°, 16° or 20°) and indicate the required B°.
 Sustituir la **x** de la referencia por la cota X° deseada (8°, 12°, 16° o 20°), e indique el ángulo B° requerido.
 Ersetzen Sie das **x** der Referenz durch den gewünschten X° Winkel (8°, 12°, 16° oder 20°). Geben Sie den benötigten B° Winkel an.
 Sostituire la **x** del codice con l'angolo X° desiderato (8°, 12°, 16° o 20°) e indichiate la B° richiesta.
 Substituir o **x** da referencia pela cota X° desejada (8°, 12°, 16° ou 20°), e indique o angulo B° pretendido.
 Remplacez la valeur **x** par la valeur angulaire X désirée (8, 12, 16 ou 20). Ensuite indiquez l'angle B° correspondant.

INSTALLATION GUIDELINES

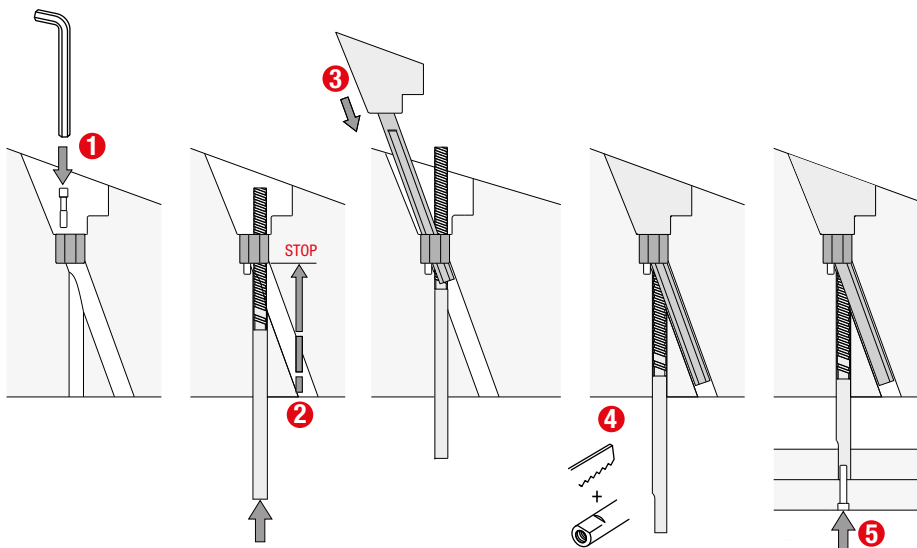
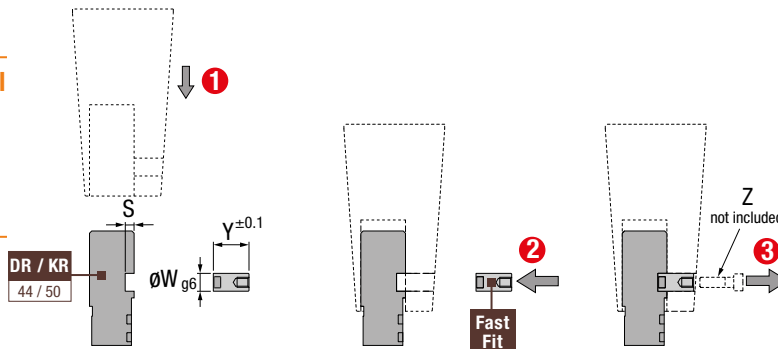
ES Consejos de Instalación DE Richtlinien zur Installation
 IT Consigli di Installazione PT Instruções de Instalação FR Mode d'Installation

Core Housing
 Alojamiento Placa Punzón
 Einbaumaße DR Führung
 Sede nel Punzone
 Alojamento Bucha
 Logement dans l'empreinte



Stroke 100	Stroke 125	Stroke 200	F	G	H	J	K	M	N	S	T	W	Y	Z
DR.16100L-..	-	-	10	4.6	4.6	3	2.35	3	2.8	2.5	M5	6	9	M4
DR.22100L-..	DR.22125L-.. / KR.22125L-..	-	13	5.6	5.6	4.2	3.7	4.2	3.5	2.5	M6	8	12	M4
DR.28100L-..	DR.28125L-.. / KR.28125L-..	-	16	7.5	7.5	5	5.4	4.8	4.8	2.5	M8	8	13.5	M4
DR.34100L-..	DR.34125L-.. / KR.34125L-..	-	16	10.5	8	7	7	5	6	4	M8	8	16	M4
DR.40100L-..	DR.40125L-..	-	20	11	11	7	8	7	7	4	M10	10	20	M6
DR.46100L-..	DR.46125L-..	-	25	13	13	8	8	9	9	5	M12	10	24	M6
-	-	KR.58200L-..	28	15.5	15.5	10	12.2	11.2	10	5	M14	12	30	M6
-	-	KR.76200L-..	36	21	21	13	15.2	15.2	12	6	M18	12	36	M6

FAST FIT:
 Installation and Removal
 Instalación y Desinstalación
 Montage und Demontage
 Montaggio e Smontaggio
 Instalação e Desinstalação
 Montage et Démontage



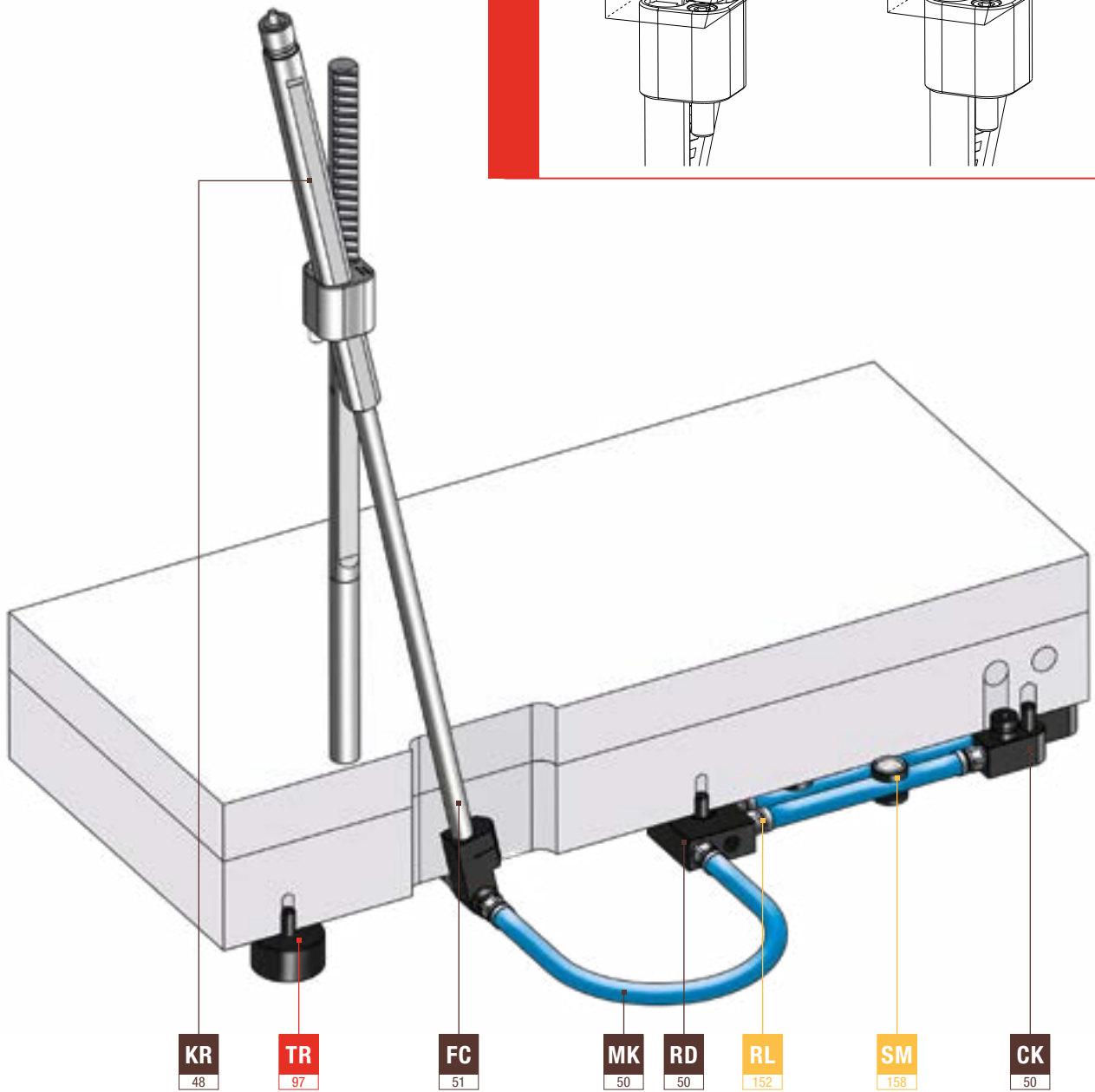
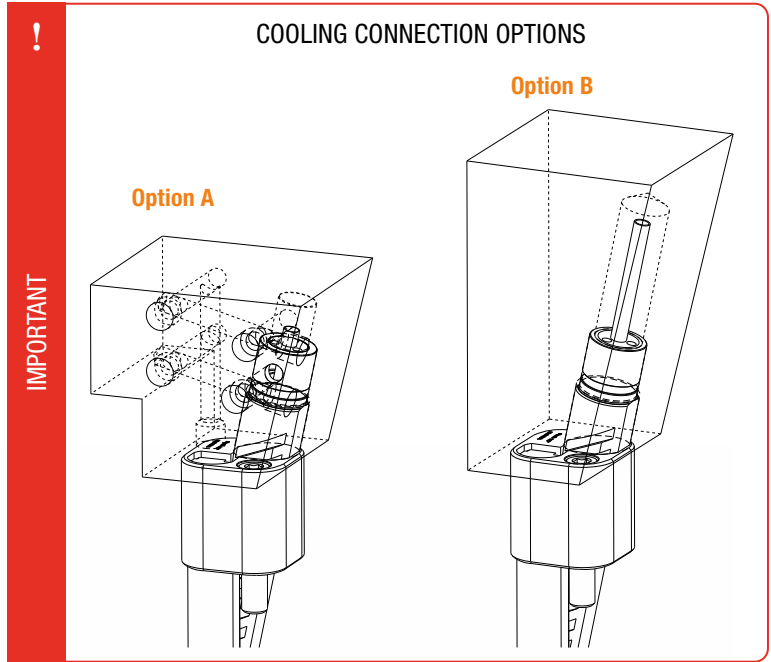
DR

UNDERCUTS



INSTALLATION GUIDELINES

ES Consejos de Instalación DE Richtlinien zur Installation
 IT Consigli di Installazione PT Instruções de Instalação FR Mode d'Installation

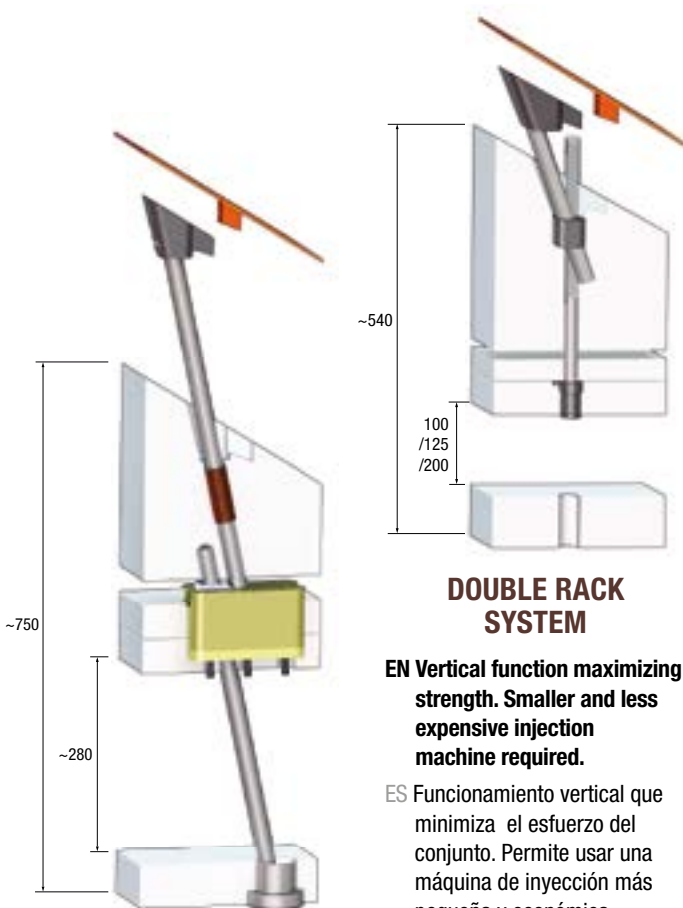


DOUBLE RACK SYSTEM

by CUMSA

COMPARE

Comparativa · Vergleich · Confronto · Comparativo · Comparatif



DOUBLE RACK SYSTEM

EN Vertical function maximizing strength. Smaller and less expensive injection machine required.

ES Funcionamiento vertical que minimiza el esfuerzo del conjunto. Permite usar una máquina de inyección más pequeña y económica.

DE Vertikale Funktion mit maximaler Kraft. Ein kleineres Werkzeug kann eventuell eine kleinere und günstigere Spritzgießmaschine benötigen.

IT Funzionamento verticale che minimizza lo sforzo. Permette di usare una macchina d'iniezione più piccola ed economica.

PT Funcionamento na vertical minimizando o esforço. Permite o uso de máquinas de injeção de menores dimensões e mais económicas.

FR Fonctionnement vertical réduisant les efforts. Permet de réduire la dimension de la presse d'injection et ainsi de réaliser des économies.

CONVENTIONAL SYSTEM

EN Eliminates the need for high-precision angled housings in the core plates.

ES Elimina los complicados taladros inclinados de alta precisión.

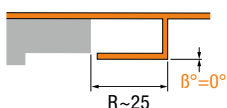
DE Es wird keine hochpräzise Schrägbohrung in der Formplatte benötigt.

IT Elimina le complicate lavorazioni inclinate ad alta precisione.

PT Elimina a necessidade de furos inclinados com precisão.

FR Termine les logements inclinés de haute précision.

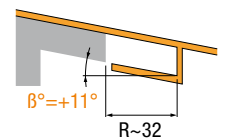
Neutral angles ($\beta^\circ=0^\circ$)



$S \geq R$

DR.xx100L-16
KR.xx200L-16
DR.xx125L-12
KR.xx125L-12
XR.xx100L-24

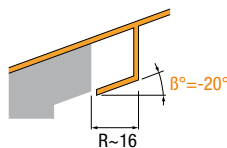
Positive Angles ($\beta^\circ>0^\circ$)



$S \geq R$

DR.xx100L-20
DR.xx125L-16
KR.xx125L-16
XR.xx100L-24

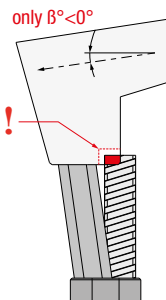
Negative Angles ($\beta^\circ<0^\circ$)



$S \geq R$

DR.xx100L-12
KR.xx200 L-12
DR.xx125L-8
KR.xx125L-8
XR.xx100L-24

IMPORTANT !



Stroke 100 (DR) Stroke 200 (KR) (Multiply S value x2)

β°	DR.xx100L-8	DR.xx100L-12		
	KR.xx200L-8	KR.xx200L-12		
	S (- β°)	S (+ β°)	S (- β°)	S (+ β°)
0	14.0	21.2		
1	14.0	14.0	21.1	21.3
2	13.9	14.1	21.1	21.4
3	13.9	14.1	21.0	21.5
4	13.9	14.1	20.9	21.5
5	13.8	14.2	20.8	21.6
6	13.8	14.2	20.7	21.7
7	13.8	14.3	20.7	21.8
8	13.7	14.3	20.6	21.9
9	13.7	14.3	20.5	22.0
10	13.7	14.4	20.4	22.0
11	13.6	14.4	20.4	22.1
12	13.6	14.4	20.3	22.2
13	13.6	14.5	20.2	22.3
14	13.5	14.5	20.1	22.4
15	13.5	14.6	20.1	22.5
16	13.5	14.6	20.0	22.6
17	13.4	14.6	19.9	22.7
18	13.4	14.7	19.8	22.8
19	13.4	14.7	19.8	22.9
20	13.3	14.8	19.7	23.0
21	13.3	14.8	19.6	23.1
22	13.2	14.9	19.5	23.2
23	13.2	14.9	19.4	23.3
24	13.2	14.9	19.4	23.4
25	13.1	15.0	19.3	23.5
26	13.1	15.0	19.2	23.7
27	13.1	15.1	19.1	23.8
28	13.0	15.1	19.0	23.9
29	13.0	15.2	19.0	24.0
30	12.9	15.2	18.9	24.2
31	12.9	15.3	18.8	
32	12.9	15.4	18.7	
33	12.8	15.4	18.6	
34	12.8	15.5	18.5	
35	12.7	15.5	18.5	
36	12.7		18.4	
37	12.7		18.3	
38	12.6		18.2	
39	12.6		18.1	
40	12.5		18.0	
45	12.3		17.5	
50	12.0		16.9	
55	11.7		16.3	
60	11.3		15.5	

SELECTION TABLE: WHICH DR / KR DO I NEED?

ES TABLA DE SELECCIÓN: Qué DR / KR / XR necesito?

DE AUSWAHLTABELLE: Welcher DR / KR / XR ist am besten geeignet?

IT TABELLA PER SCELTA: Di quale DR / KR / XR ho bisogno?

PT TABELA DE SELEÇÃO: Qual é o DR / KR / XR que preciso?

FR TABLEAU DE CORRESPONDANCE: Quel est le DR / KR que j'ai besoin?



Stroke 100 (DR) Stroke 200 (KR) (Multiply S value x2)

DR.xx100L-16		DR.xx100L-20	
KR.xx200L-16		KR.xx200L-20	
S (-β°)	S (+β°)	S (-β°)	S (+β°)
28.6		36.4	
28.5	28.8	36.1	36.6
28.3	28.9	35.9	36.8
28.2	29.1	35.7	37.1
28.1	29.2	35.4	37.3
27.9	29.4	35.2	37.5
27.8	29.5	35.0	37.8
27.7	29.7	34.8	38.1
27.5	29.8	34.6	38.3
27.4	30.0	34.4	38.6
27.2	30.2	34.2	38.8
27.1	30.3	33.9	39.1
27.0	30.5	33.7	39.4
26.8	30.7	33.5	39.7
26.7	30.8	33.3	40.0
26.6	31.0	33.1	40.3
26.5	31.2	32.9	40.6
26.3	31.4	32.7	40.9
26.2	31.6	32.5	41.2
26.1	31.8	32.3	41.6
25.9	32.0	32.1	41.9
25.8	32.2	31.9	
25.6	32.4	31.7	
25.5	32.6	31.5	
25.4	32.8	31.3	
25.2	33.1	31.1	
25.1		30.9	
25.0		30.7	
24.8		30.4	
24.7		30.2	
24.6		30.0	
24.4		29.8	
24.3		29.6	
24.1		29.4	
24.0		29.2	
23.8		29.0	
23.7		28.7	
23.5		28.5	
23.4		28.3	
23.2		28.1	
23.1		27.8	
22.2		26.6	
21.3		25.1	
20.3		23.9	
19.1		22.3	

Stroke 125 (DR / KR)

β°	DR.xx125L-8		DR.xx125L-12		DR.xx125L-16		DR.xx125L-20	
	KR.xx125L-8		KR.xx125L-12		KR.xx125L-16		KR.xx125L-20	
	S (-β°)	S (+β°)	S (-β°)	S (+β°)	S (-β°)	S (+β°)	S (-β°)	S (+β°)
0	17.5		26.5		35.8		45.4	
1	17.5	17.6	26.4	26.6	35.6	36.0	45.2	45.7
2	17.4	17.6	26.3	26.7	35.4	36.2	44.9	46.0
3	17.4	17.6	26.2	26.8	35.3	36.3	44.6	46.3
4	17.3	17.7	26.1	26.9	35.1	36.5	44.3	46.6
5	17.3	17.7	26.0	27.0	34.9	36.7	44.0	46.9
6	17.3	17.8	25.9	27.1	34.7	36.9	43.8	47.3
7	17.2	17.8	25.8	27.2	34.6	37.1	43.5	47.6
8	17.2	17.9	25.7	27.3	34.4	37.3	43.2	47.9
9	17.1	17.9	25.7	27.4	34.2	37.5	43.0	48.2
10	17.1	18.0	25.6	27.6	34.1	37.7	42.7	48.6
11	17.1	18.0	25.5	27.7	33.9	37.9	42.4	48.9
12	17.0	18.1	25.4	27.8	33.7	38.1	42.2	49.3
13	17.0	18.1	25.3	27.9	33.6	38.3	41.9	49.6
14	16.9	18.2	25.2	28.0	33.4	38.6	41.7	50.0
15	16.9	18.2	25.1	28.1	33.2	38.8	41.4	50.4
16	16.8	18.3	25.0	28.2	33.1	39.0	41.1	50.7
17	16.8	18.3	24.9	28.4	32.9	39.2	40.9	51.1
18	16.8	18.4	24.8	28.5	32.7	39.5	40.6	51.5
19	16.7	18.4	24.7	28.6	32.6	39.7	40.4	52.0
20	16.7	18.5	24.6	28.7	32.4	40.0	40.1	52.4
21	16.6	18.5	24.5	28.9	32.2	40.2	39.9	
22	16.6	18.6	24.4	29.0	32.1	40.5	39.6	
23	16.5	18.6	24.3	29.2	31.9	40.8	39.4	
24	16.5	18.7	24.2	29.3	31.7	41.0	39.1	
25	16.4	18.7	24.1	29.4	31.6	41.3	38.8	
26	16.4	18.8	24.0	29.6	31.4		38.6	
27	16.3	18.9	23.9	29.7	31.2		38.3	
28	16.3	18.9	23.8	29.9	31.1		38.1	
29	16.2	19.0	23.7	30.1	30.9		37.8	
30	16.2	19.1	23.6	30.2	30.7		37.5	
31	16.1	19.1	23.5		30.5		37.3	
32	16.1	19.2	23.4		30.3		37.0	
33	16.0	19.3	23.3		30.2		36.7	
34	16.0	19.4	23.2		30.0		36.5	
35	15.9	19.4	23.1		29.8		36.2	
36	15.9		23.0		29.6		35.9	
37	15.8		22.9		29.4		35.7	
38	15.8		22.7		29.2		35.4	
39	15.7		22.6		29.0		35.1	
40	15.7		22.5		28.8		34.8	
45	15.4		21.9		27.8		33.3	
50	15.0		21.1		26.7		31.7	
55	14.6		20.3		25.4		29.9	
60	14.1		19.4		23.9		27.9	

Stroke 100 (XR)

β°	XRxx100L-24		XRxx100L-28		XRxx100L-32		XRxx100L-36	
	S (-β°)		S (+β°)		S (-β°)		S (+β°)	
	S (-β°)	S (+β°)	S (-β°)	S (+β°)	S (-β°)	S (+β°)	S (-β°)	S (+β°)
0	44.5		53.2		62.5		72.7	
1	44.2	44.9	52.7	53.7	61.8	63.2	71.7	73.6
2	43.8	45.2	52.2	54.2	61.2	63.9	70.9	74.5
3	43.5	45.6	51.7	54.7	60.5	64.6	70.0	75.5
4	43.2	46.0	51.3	55.2	59.9	65.3	69.1	76.5
5	42.9	46.3	50.8	55.8	59.2	66.1	68.3	77.6
6	42.5	46.7	50.4	56.3	58.6	66.9	67.5	78.7
7	42.2	47.1	49.9	56.9	58.0	67.7	66.7	79.8
8	41.9	47.5	49.5	57.5	57.4	68.5	65.9	
9	41.6	47.9	49.0	58.1	56.9	69.4	65.2	
10	41.3	48.3	48.6	58.7	56.3	70.2	64.4	
11	41.0	48.7	48.2	59.3	55.7	71.1	63.7	
12	40.7	49.2	47.8	59.9	55.2		62.9	
13	40.4	49.6	47.4	60.6	54.6		62.2	
14	40.1	50.1	46.9	61.3	54.1		61.5	
15	39.8	50.6	46.5	62.0	53.5		60.8	
16	39.5	51.0	46.1		53.0		60.1	
17	39.2	51.5	45.7		52.5		59.4	
18	38.9	52.1	45.3		51.9		58.8	
19	38.6	52.6	44.9		51.4		58.1	
20	38.3		44.5		50.9		57.5	
21	38.0		44.2		50.4		56.8	
22	37.7		43.8		49.9		56.2	
23	37.4		43.4		49.4		55.5	
24	37.2		43.0		48.9		54.9	
25	36.9		42.6		48.4		54.3	
26	36.6		42.2		47.9		53.6	
27	36.3		41.8		47.4		53.0	
28	36.0		41.5		46.9		52.4	
29	35.7		41.1		46.4		51.8	
30	35.4		40.7		45.9		51.2	
31	35.1		40.3		45.4		50.6	
32	34.8		39.9		44.9		50.0	
33	34.5		39.5		44.4		49.4	
34	34.2		39.1		44.0		48.8	
35	33.9		38.7		43.5		48.2	
36	33.6		38.4		43.0		47.6	
37	33.3		38.0		42.5		46.9	
38	33.0		37.6		42.0		46.3	
39	32.7		37.2		41.5		45.7	
40	32.4		36.8		41.0		45.1	
45	30.8		34.7		38.4		42.0	
50	29.0		32.5		35.8		38.9	
55	27.2		30.2		33.0		35.6	
60	25.1		27.6		30.0		32.1	

Special β° angles possible under request
ES Posibilidad de ángulos β° especiales DE Sonderwinkel auf Anfrage möglich (β°) IT E' possibile avere angolazioni β° speciali su richiesta PT Possibilidade de ângulos β° especiais FR Possibilité de réaliser des angles β° spéciaux.