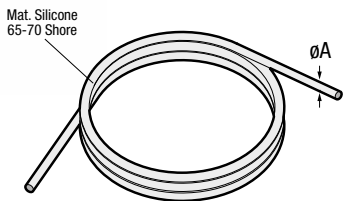


# VACUUMJET SEAL

ES Sello Vacuumjet DE Vacuumjet Dichtschnur  
IT Guarnizione Vacuumjet PT Vedante Vacuumjet FR Joint Vacuumjet

● Cad Insertion Point

# JV



Ref.	A	B	C	mm
JV.030200	3	2.2	2.7	2.000
JV.050200	5	3.8	4.2	2.000

VACUUM

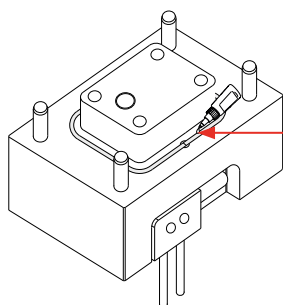


Patented



## Installation Guidelines

Consejos de Instalación · Richtlinien zur Installation · Consigli di Installazione · Instruções de Instalação · Mode d'Installation



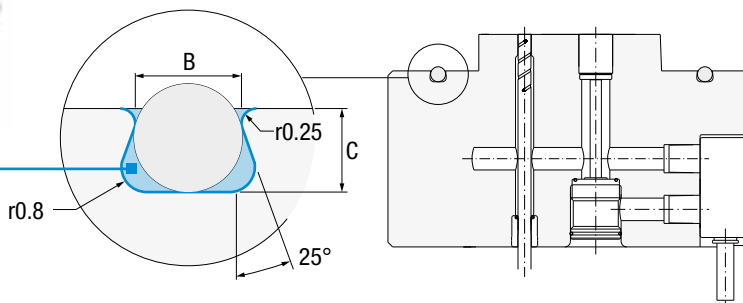
**IMPORTANT** !

Ensure joint is sealed using silicon.  
Sellar con silicona la entrada de herramienta.  
Dichtschnur an den Enden mit Silikon verkleben.  
Sigillare con silicone l'entrata dell'utensile.  
Vedar a linha de junta.  
Coller ensemble les extrémités du joint.

# ST SEAL TOOL



Ref.	Compatible with
ST.030200	JV.030200
ST.050200	JV.050200



# TV

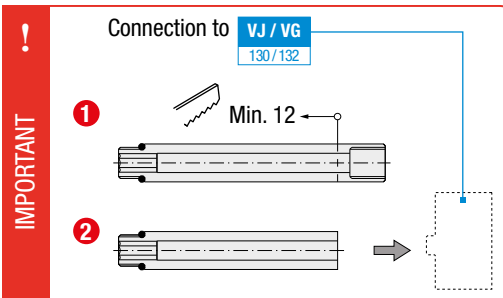
## CONNECTION TUBE

ES Tubo Conexión DE Verbindungsrohr  
IT Tubo connessione PT Tubo de Ligação FR Tube de connexion

● Cad Insertion Point



Ref.	B	L
TV.141650	16	50
TV.141675	16	75



**IMPORTANT** !

VACUUM

